

RM - RMS

Fuse disconnect switches

for industrial and high speed cylindrical fuses up to 125 A

Accessories

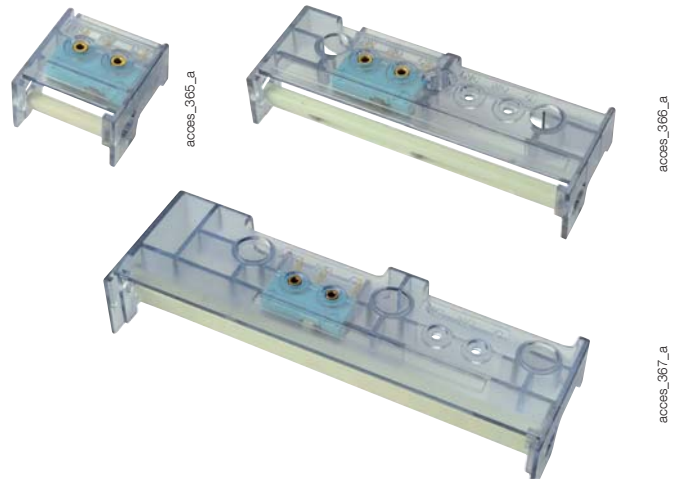
Auxiliary contact

Use

- Pre-break, presence and fuse blown for RMS 50 and 100:
1 or 2 NO/NC auxiliary contacts

Connection

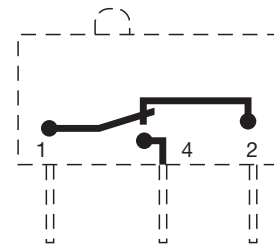
By 6.35 mm fast-on terminal.



Characteristics		Operating current I_o (A) 250 VAC AC-13
Rating (A)	Contact type	
50 ... 100	NO/NC contact	5
50 ... 100	Two level NO/NC contacts	0.1

References NO/NC contact for RMS		
Rating (A)	Contact(s)	Reference
50	1 P with 1 AC	5702 9901
50	3 P with 1 AC	5702 9903
50	3 P with 2 AC	5702 9030
100	1 P with 1 AC	5703 9901
100	3 P with 1 AC	5703 9903
100	3 P with 2 AC	5703 9030

Two-level NO/NC contact for RMS		
Rating (A)	Contact(s)	Reference
50	1 P with 1 AC	5702 9911
50	3 P with 1 AC	5702 9913
100	1 P with 1 AC	5703 9911
100	3 P with 1 AC	5703 9913

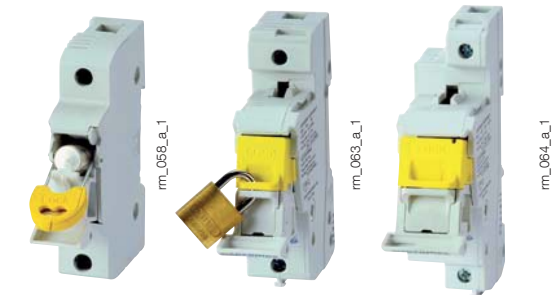


Handle key interlocking accessories

Use

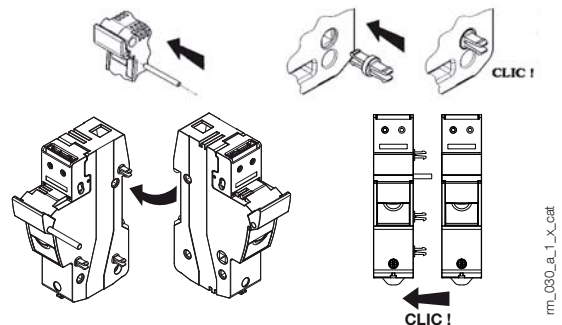
Padlocking of the handle (padlock not supplied).

For RM and RMS	
Rating (A)	Reference
32	5701 9040
50	5702 9040
100	5703 9040



Coupling system for RM	
Rating (A)	Reference
32	5704 0003 ⁽¹⁾⁽²⁾
50 ... 100	5702 9020 ⁽¹⁾⁽²⁾

(1) 1 coupling device allows to link 2 RM/RMS.
(2) 1 reference = 1 pack of 12 coupling devices.
Also sold separately (packs of 100 pieces) for the coupling of large quantities. Please consult us.



Improved isolation kit

Rating (A)	Reference
32	5701 9010 ⁽³⁾

(1) 1 coupling device allows to link 2 RM/RMS.
(2) 1 reference = 1 pack of 12 coupling devices.
Also sold separately (packs of 100 pieces) for the coupling of large quantities. Please consult us.
(3) 1 reference = 1 pack for 10 RM devices.

